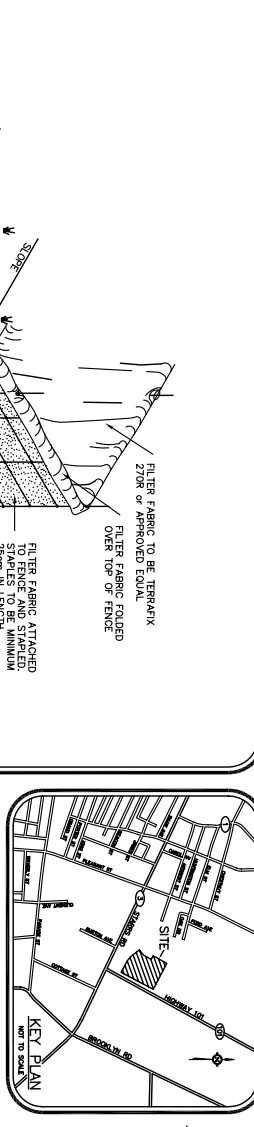
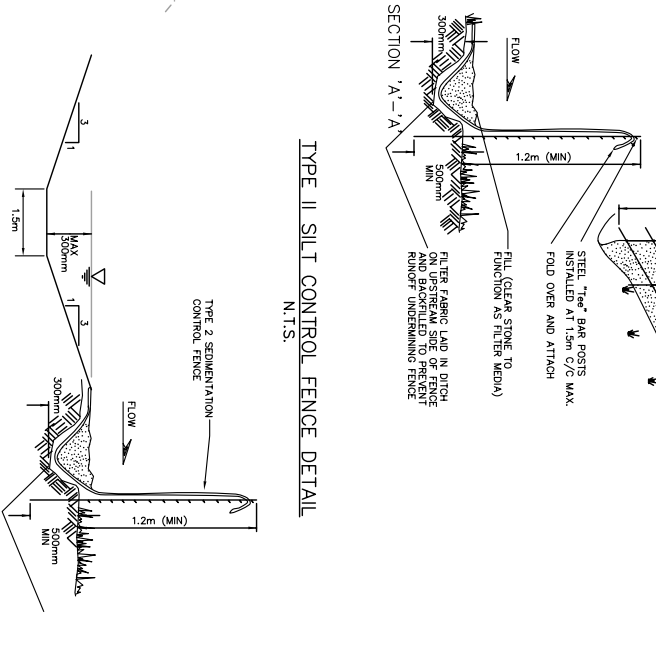


HIGHWAY NO. 101



1. CONTROL AND EROSION CONTROL MEASURES TO BE INSTALLED PRIOR TO ANY COMMENCEMENT OF CONSTRUCTION.
2. ALL EROSION CONTROL MEASURES SHALL BE MAINTAINED THROUGHOUT THE CONSTRUCTION PERIOD AND SHALL BE RESTORED TO ORIGINAL OR BETTER CONDITION AT THE END OF CONSTRUCTION.
3. ALL EROSION CONTROL MEASURES SHALL BE INSTALLED WITHIN 10 DAYS OF THE COMMENCEMENT OF CONSTRUCTION.
4. EROSION CONTROL MEASURES SHALL BE MAINTAINED THROUGHOUT THE CONSTRUCTION PERIOD AND SHALL BE RESTORED TO ORIGINAL OR BETTER CONDITION AT THE END OF CONSTRUCTION.
5. ALL EROSION CONTROL MEASURES SHALL BE INSTALLED WITHIN 10 DAYS OF THE COMMENCEMENT OF CONSTRUCTION.
6. EROSION CONTROL MEASURES SHALL BE MAINTAINED THROUGHOUT THE CONSTRUCTION PERIOD AND SHALL BE RESTORED TO ORIGINAL OR BETTER CONDITION AT THE END OF CONSTRUCTION.
7. ALL EROSION CONTROL MEASURES SHALL BE INSTALLED WITHIN 10 DAYS OF THE COMMENCEMENT OF CONSTRUCTION.
8. EROSION CONTROL MEASURES SHALL BE MAINTAINED THROUGHOUT THE CONSTRUCTION PERIOD AND SHALL BE RESTORED TO ORIGINAL OR BETTER CONDITION AT THE END OF CONSTRUCTION.
9. ALL EROSION CONTROL MEASURES SHALL BE INSTALLED WITHIN 10 DAYS OF THE COMMENCEMENT OF CONSTRUCTION.
10. EROSION CONTROL MEASURES SHALL BE MAINTAINED THROUGHOUT THE CONSTRUCTION PERIOD AND SHALL BE RESTORED TO ORIGINAL OR BETTER CONDITION AT THE END OF CONSTRUCTION.



SECTION A-A AND TYPICAL SWALE CROSS SECTION

TYPE II SILT CONTROL FENCE DETAIL

EROSION & SEDIMENT CONTROL PLAN

SCALE: 1" = 30'

PROJECT NO. 608 20083

DRAWN BY: JSC

CHECKED BY: JSC

DATE: 10/2/2008

REVISIONS

NO.	DATE	DESCRIPTION	BY	CHK
1	10/2/2008	ISSUED FOR REVIEW	JSC	JSC
2	10/2/2008	REVISION	JSC	JSC
3	10/2/2008	REVISION	JSC	JSC

STATUTORY REQUIREMENTS

EROSION & SEDIMENT CONTROL PLAN

BUILDING A

VANACUM HOVA SCOTT

WATERSHED CONSULTANTS

2221 Woodbine Avenue, Suite 200
 Richmond, BC V6V 1K9
 TEL: (604) 274-4455
 FAX: (604) 274-4456
 Email: info@watershedconsultants.com

PROJECT NO. 608 20083

DATE: 10/2/2008

DRAWN BY: JSC

CHECKED BY: JSC

DATE: 10/2/2008