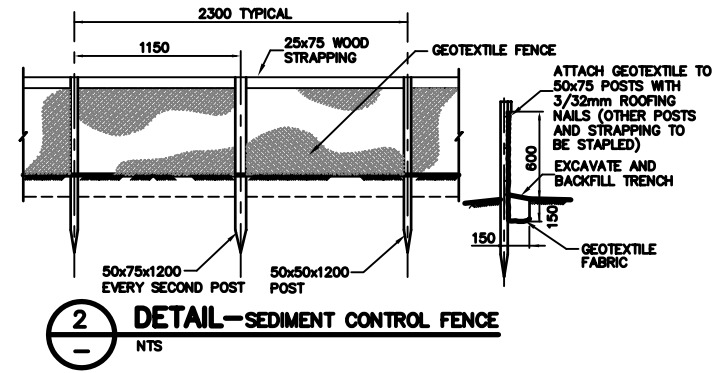
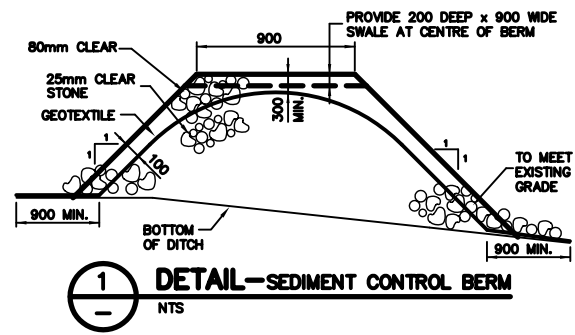
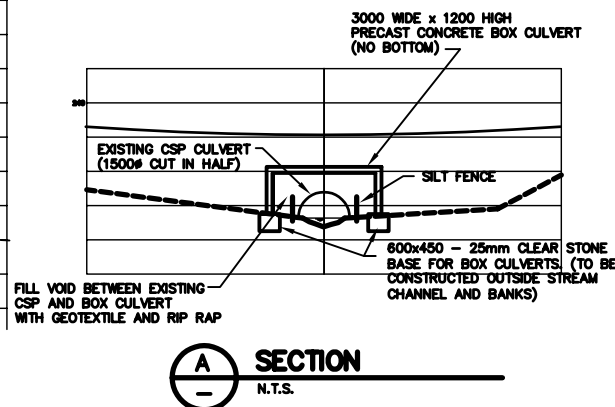
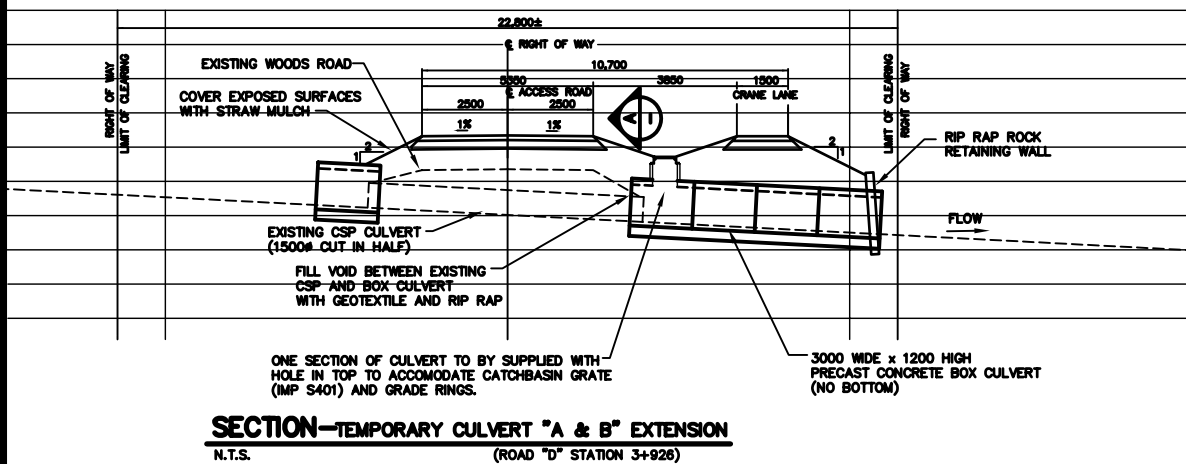
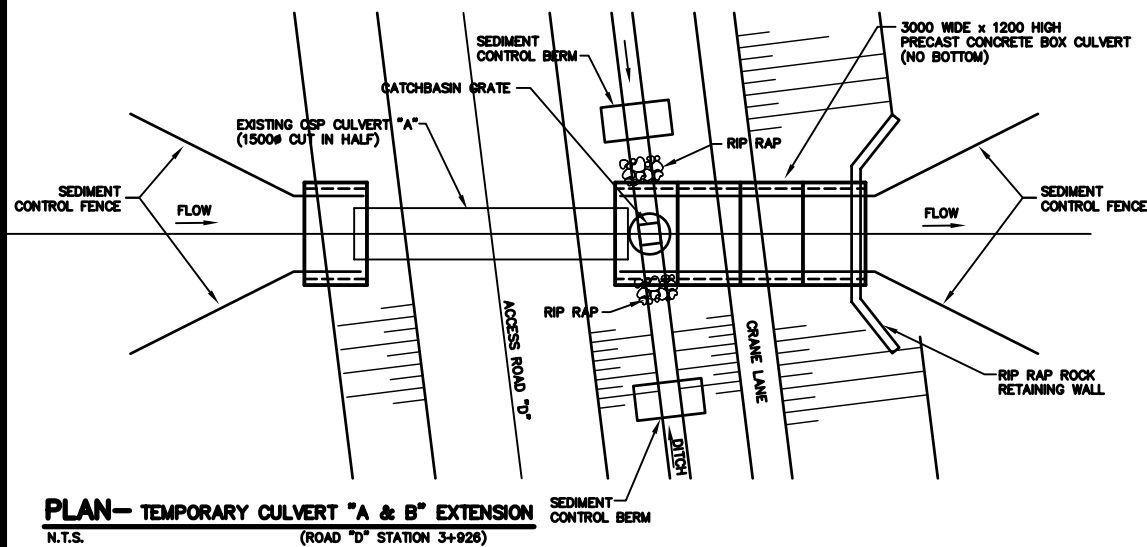


NOTE:  
REFER TO CULVERT "A" FIG 2.3 STREAMS AND CULVERTS.



- CONSTRUCTION SEQUENCE – TEMPORARY CULVERT INSTALLATION
- ENSURE ALL SEDIMENT AND SILTATION DEVICES ARE IN PLACE AND WORKING.
  - EXCAVATE FOR GRAVEL FOOTING. REMOVE EXCAVATED MATERIAL TO APPROVED DISPOSAL AREA
  - CONTRACTOR TO ENSURE THAT NO EQUIPMENT OR MATERIAL SHALL ENTER THE STREAM.
  - PLACE CLEAR STONE TO DIMENSIONS INDICATED.
  - INSTALL CULVERT SECTIONS TO GRADES INDICATED. ENSURE TIGHT JOINTS.
  - PLACE GEOTEXTILE BETWEEN EXISTING SLOPE AND NEW CULVERT TO PREVENT BACKFILL MATERIAL FROM FALLING INTO THE STREAM.
  - PLACE BACKFILL IN 300–450mm LAYERS AND COMPACTED TO 95% STANDARD PROCTOR.
  - PLACE ROAD GRAVELS.
  - COVER ALL EXPOSED SURFACES WITH STRAW MULCH.
  - REMOVE TEMPORARY CULVERTS UPON COMPLETION OF SITE WORKS.
  - PULL BACK ROAD BED
  - RE-ESTABLISH TAKE OFF DITCHES
  - REMOVE SEDIMENT CONTROL FENCES.

- ENVIRONMENTAL MEASURES DURING CONSTRUCTION
- CONTRACTOR RESPONSIBLE FOR EROSION AND SEDIMENT CONTROL
  - EROSION AND SEDIMENT CONTROL DEVICES TO BE IN PLACE PRIOR TO START OF CONSTRUCTION. CONTRACTOR MUST MEET NSDE&L REGULATIONS.
  - EXPOSED SURFACES MUST BE STABILIZED ON A DAILY BASIS WITH WOOD CHIPS AND STRAW. PARTICULAR ATTENTION SHOULD BE PAID TO RAINFALL FORECASTS AND ASSURING THE SITE HAS ADEQUATE PROTECTION.
  - SILT FENCING AND BERMS SHOULD BE MAINTAINED ON A REGULAR BASES. INSTALL ADDITIONAL BERMS, SILT FENCES ETC. AS REQUIRED BY SITE CONDITIONS TO PREVENT SEDIMENT FROM ENTERING STREAMS.
  - MAINTAIN A STOCKPILE OF EROSION AND ENVIRONMENTAL PROTECTION MATERIAL ON SITE AT ALL TIMES FOR DAY TO DAY USE INCLUDING THE FOLLOWING;
    - 100m OF SILT FENCE
    - 20 BALES OF STRAW
    - STOCKPILE OF WOODCHIPS AND CLEAR STONE
  - STOCKPILES AND STEEP SLOPES OF EXPOSED SITE MATERIAL SHALL BE COVERED WITH PLASTIC SHEETS AS REQUIRED.



NOTE:  
CULVERT "B" SIMILAR TO CULVERT "A" EXCEPT THE CRANE LANE AND CULVERT EXTENSION WILL BE ON THE UPSTREAM SIDE OF THE ROAD ONLY

	<b>CONSTRUCTION SEQUENCE AND MITIGATIVE MEASURES</b>			Figure <b>7.1</b>
	Date JUNE 2008	Scale AS NOTED	Contract 061236	